


# BL82 - Filter/regulator – Lubricator Combination Units Excelon® Plus Modular System

- Port size: 1/4" & 3/8" (ISO G/PTF)
- Unique Quikclamp connection system offers full modularity
- 40 micron particle and high efficiency water removal (> 95%)
- Double safety lock on bowl
- Integrated gauge
- Shut off valve, regulator and filter regulator with tamper resistance feature
- Metal bowl with prismatic liquid level indicator
- Light weight polycarbonate bowl
- Easy to read flush mounted integrated pressure gauge as standard
- All round (360°) visibility of sightdome for ease of drip rate setting
-  DoC in accordance with 2014/34/EU/ATEX



## Technical features

**Medium:**  
Compressed air only

**Maximum supply pressure:**  
Polycarbonate bowl: 10 bar (145 psi)  
Metal bowl: 17 bar (246 psi)

**Outlet pressure ranges:**  
0,3 ...10 bar (4 ... 145 psi)

**Filter element:**  
40 µm

**Port size:**  
G1/4, G3/8, 1/4 PTF, 3/8 PTF

**Gauge:**  
Integrated as standard

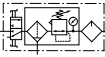
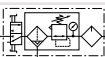
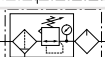
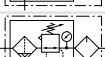

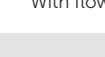
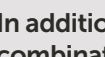

**Diaphragm Type:**  
Relieving

**Drain:**  
Manual or automatic  
Automatic drain operating conditions (float operated):  
Bowl pressure required to close drain: > 0.35 bar (5 psi)  
Bowl pressure required to open drain: ≤ 0.2 bar (2.9 psi)  
Minimum air flow required to close drain: 1 dm<sup>3</sup>/s.

**Ambient/Media temperature:**  
-10 ... +60°C (+14 ... +140°F)  
**Metal bowl:**  
-20 ... +65°C (-4 ... +149°F)  
Air supply must be dry enough to avoid ice formation at temperatures below +2°C (+35°F).

**Materials:**  
Body: Die cast aluminum  
Body covers: ABS  
Bonnet: Acetal  
Valve: PP  
Transparent Bowl:  
Polycarbonate with Polypropylene Guard.  
Metal Bowl: Die cast Zinc with PA liquid level indicator lens  
Filter element: sintered PP  
Bowl 'o'- ring: Chloroprene  
Elastomers: NBR

## Technical data BL82—standard models

Symbol	Port Size	Shutoff Valve	Drain	Lubricator Type	Weight (kg)	Model *1)
	G1/4	With	Manual	Microfog	1,30	BL82-221G
	G3/8	With	Manual	Microfog	1,30	BL82-321G
	G1/4	With	Auto	Microfog	0,90	BL82-201G
	G3/8	With	Auto	Microfog	0,90	BL82-301G
	G1/4	Without	Manual	Microfog	1,00	BL82-225G
	G3/8	Without	Manual	Microfog	1,00	BL82-325G
	G1/4	Without	Auto	Microfog	0,60	BL82-205G
	G3/8	Without	Auto	Microfog	0,60	BL82-305G

\*1) All models shown here are supplied with brackets and integrated gauge applicable for flow direction left to right. With flow direction right to left please use the online configurator [www.norgren.com/air-preparation-configurator](http://www.norgren.com/air-preparation-configurator) or contact Norgren

In addition to the standard box set units shown on this data sheet, further combinations can be configured using our online Air Preparation configurator:

[www.norgren.com/air-preparation-configurator](http://www.norgren.com/air-preparation-configurator)



**Option selector \*1)**

**BL82-★★★★**

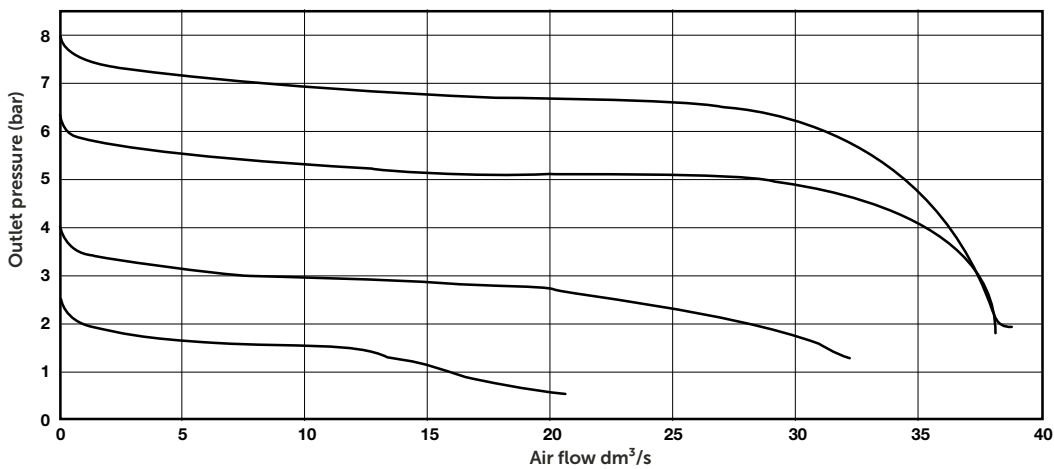
Port size	Substitute
1/4"	2
3/8"	3
Units	Substitute
Filter/Regulator w. auto drain, Micro fog lubricator, Polycarbonate bowls	0
Filter/Regulator w. auto drain, Oil fog lubricator, Polycarbonate bowls	1
Filter/Regulator w. manual drain, Micro fog lubricator, Polycarbonate bowls	2
Filter/Regulator w. manual drain, Oil fog lubricator, Polycarbonate bowls	3
Filter/Regulator w. auto drain, Micro fog lubricator, Metal bowls	5
Filter/Regulator w. auto drain, Oil fog lubricator, Metal bowls	6
Filter/Regulator w. manual drain, Micro fog lubricator, Metal bowls	7
Filter/Regulator w. manual drain, Oil fog lubricator, Metal bowls	8

Thread form	Substitute
PTF	A
ISO G (standard)	G
Accessories	Substitute
Shutt-off valve and Gauge and brackets	1
Gauge and brackets	5

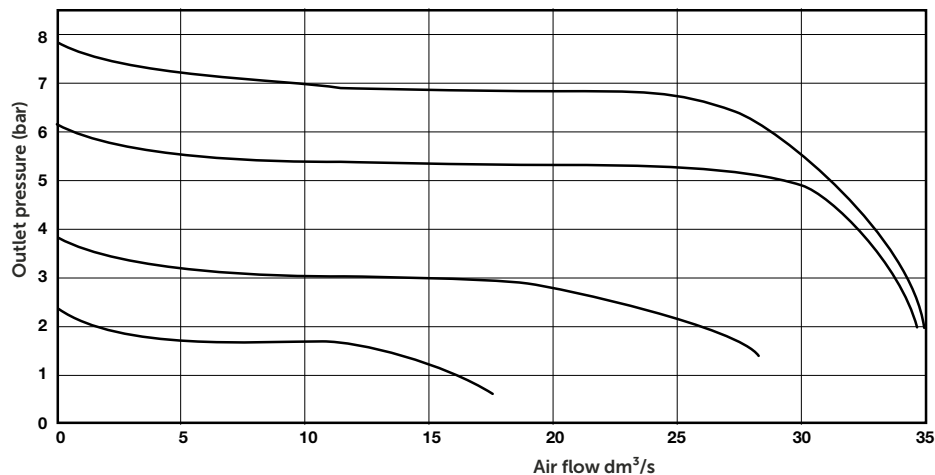
\*1) All models shown here are applicable for flow direction left to right. With flow direction right to left please use the online configurator [www.norgren.com/air-preparation-configurator](http://www.norgren.com/air-preparation-configurator) or contact Norgren

**Flow characteristics**

Inlet pressure: 10 bar (145 psi)  
 Range: 0.3 to 10 bar (4 to 145 psi)  
 Port size: 1/4", 40 µm element



Inlet pressure: 10 bar (145 psi)  
 Range: 0.3 to 10 bar (4 to 145 psi)  
 Port size: 3/8", 40 µm element



## Accessories

Quikclamp



Page 6  
820014-51KIT

Quikclamp with bracket assembled



Page 6  
820014-52KIT

Pressure sensing block  
1/4 PTF



Page 6  
820016-50KIT

Pressure sensing block  
G1/4



Page 6  
820016-51KIT

Integrated gauge  
10 bar gauge



820073-01KIT

Integrated gauge  
20 bar gauge



820073-02KIT

Integrated gauge  
4 bar gauge



820073-03KIT

Gauge adaptor kit  
1/8 PTF



820100-01KIT

Gauge adaptor kit  
R 1/8



820100-02KIT

Porting block  
3/8" PTF



820028-50KIT

Porting block  
G3/8



820028-53KIT

Pressure switch interface block  
(18D pressure switch) G1/4



0523109000000000

Pressure switch 18D  
(0,5 ... 8bar) \*1



0881300

Digital pressure switch  
51D (-1 ... 10 bar) \*2



0860810

\*1) Flanged version. For other pressure ranges, please see data sheet 5.11.001

\*2) For other pressure ranges, please see data sheet 5.11.385

Port Adaptors  
1/4 PTF



Page 7  
820015-02KIT

Port Adaptors  
3/8 PTF



Page 7  
820015-03KIT

Port Adaptors  
G1/4



Page 7  
820015-08KIT


Port Adaptors  
G3/8



Page 7  
820015-09KIT


## Padlock

Padlock



84a0055-01KIT

Lockout device



840055-02KIT

## Silencer

Porous plastic silencer \*3) G1/4



M/S2

Porous plastic silencer \*3) G1/4



0014600000000000





Porous plastic silencer \*3) 1/4 PTF











MS002A

\*3) Max. pressure of silencers listed in this data sheet : 10 bar. For pressure higher than 10 bar please contact Norgren

## Maintenance/Service

<p>Auto drain kit with metal Nut - Imperial</p>  <p>6000-61KIT</p>	<p>Auto drain kit with metal Nut - Metric</p>  <p>6000-60KIT</p>	<p>R82 / B82 Service kit</p>  <p>FRLB82-KIT</p>	<p>Filter cartridges 40 micron</p>  <p>820038-51KIT</p>
---	---	---	--

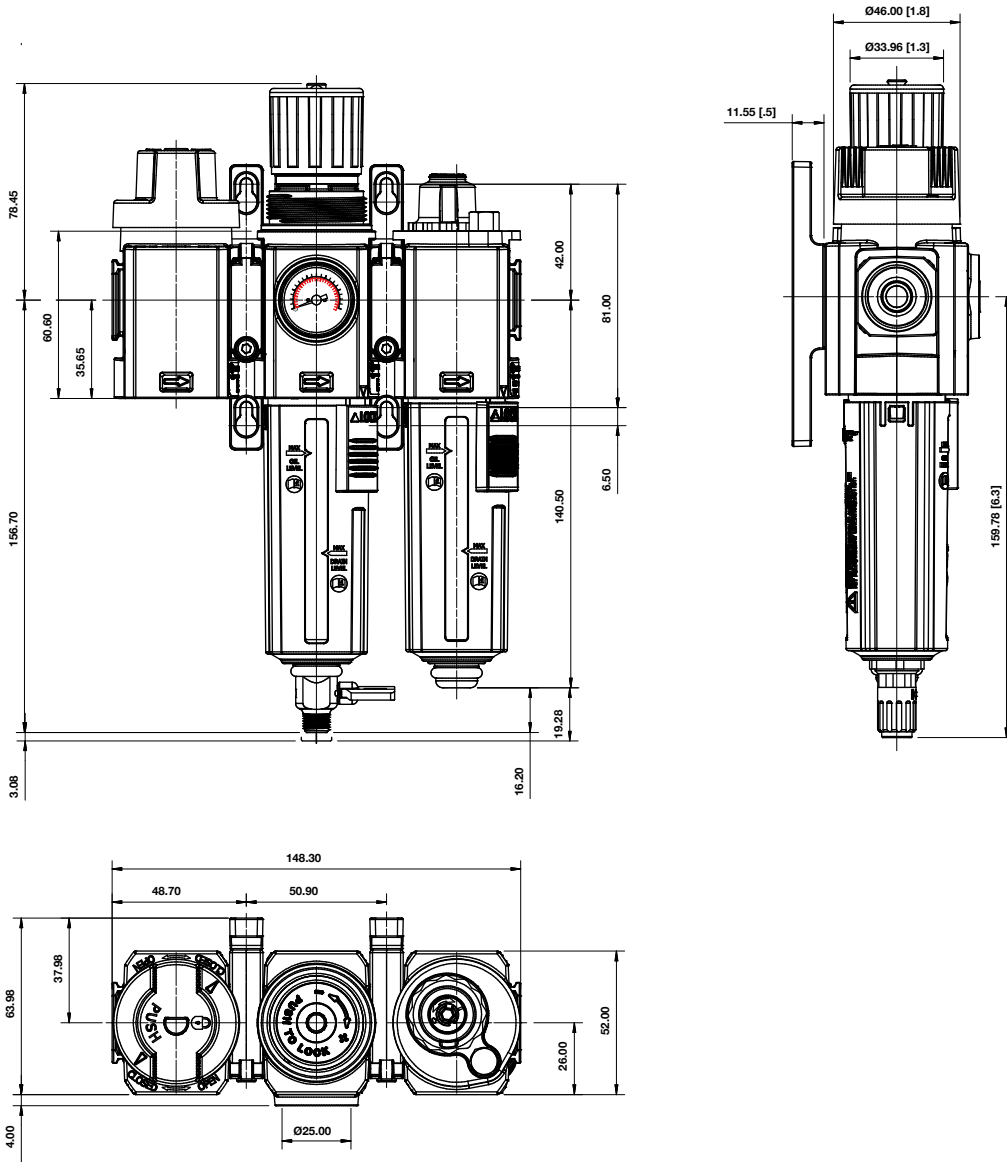
## Spare parts

<p>Filter Bowl (Guarded Poly bowl with auto drain 6 mm PIF)</p>  <p>820025-51KIT</p>	<p>Filter Bowl (Guarded Poly bowl with manual drain)</p>  <p>820025-50KIT</p>	<p>Filter Bowl (Metal with S/Glass &amp; auto drain, 6 mm PIF)</p>  <p>820003-51KIT</p>	<p>Filter Bowl (Metal with S/Glass &amp; manual drain)</p>  <p>820003-50KIT</p>
<p>Lubricator bowl Guarded Poly</p>  <p>820025-52KIT</p>	<p>Lubricator bowl Metal with sight glass</p>  <p>820003-52KIT</p>	<p>Lubricator sight dome kit</p>  <p>Micro fog (red) 840055-50KIT</p>	<p>Lubricator sight dome kit</p>  <p>Oil fog (green) 840055-51KIT</p>

Dimensions

Shut-off valve, Filter/regulator and Lubricator

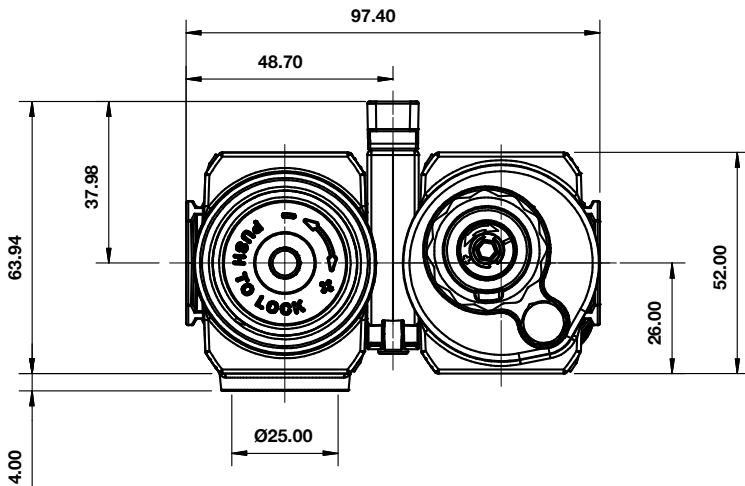
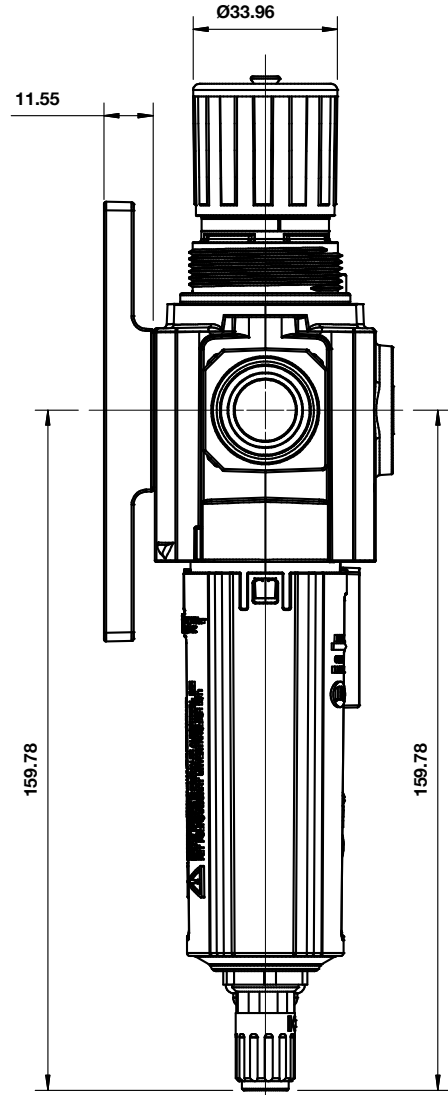
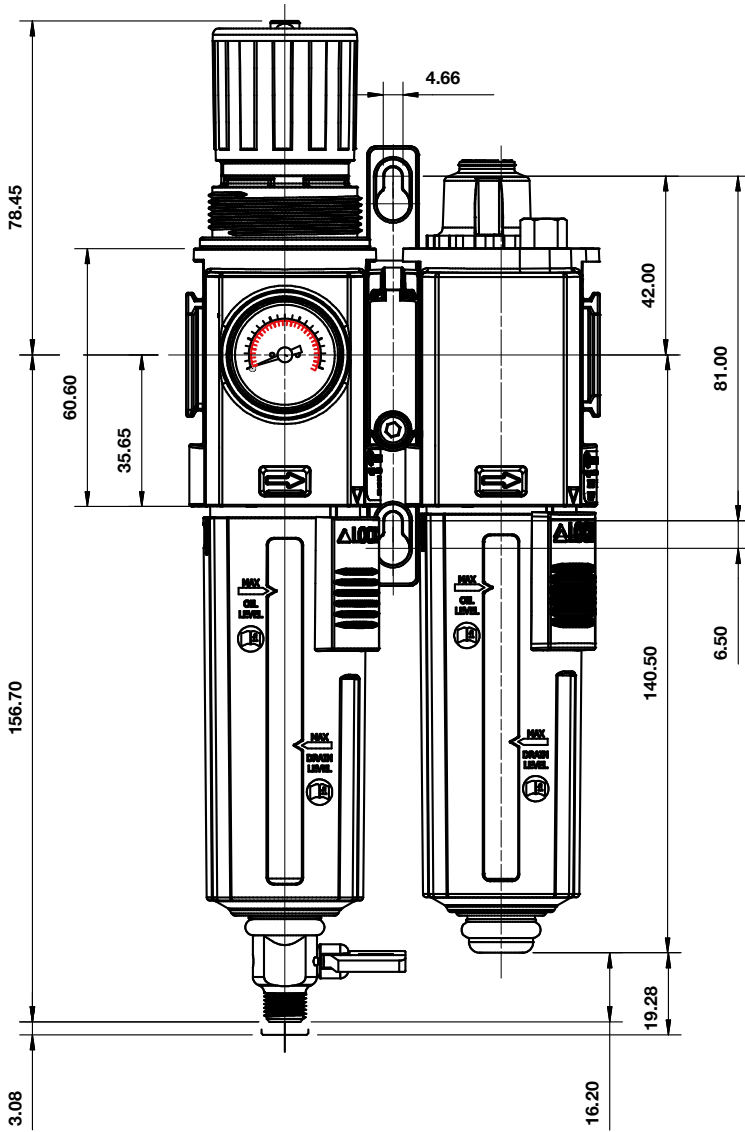
Dimensions in mm  
Projection/First angle



# Minimum clearance for bowl removal

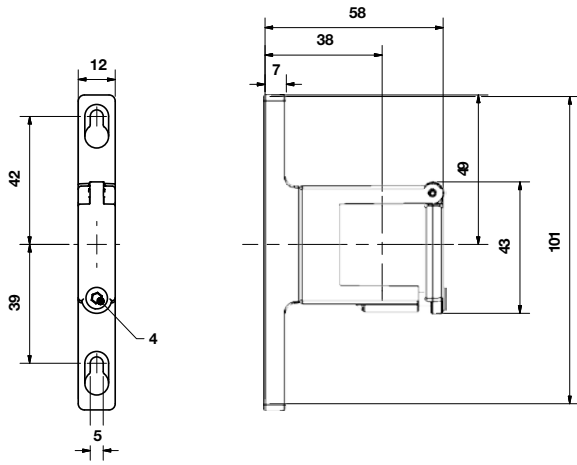
Dimensions  
Filter/regulator and Lubricator

Dimensions in mm  
Projection/First angle



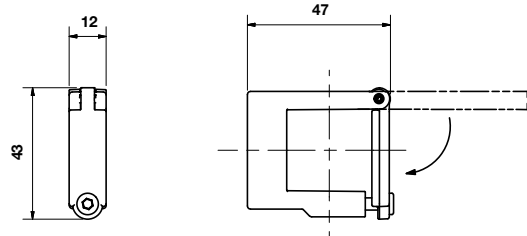
Accessories

Quikclamp with wall bracket

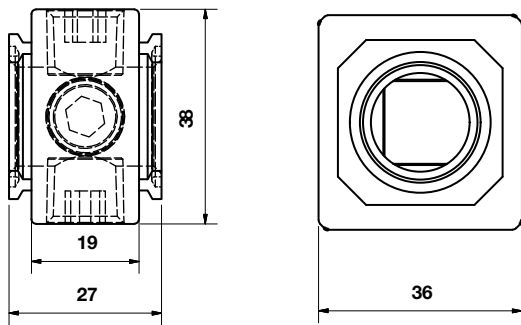


Quikclamp

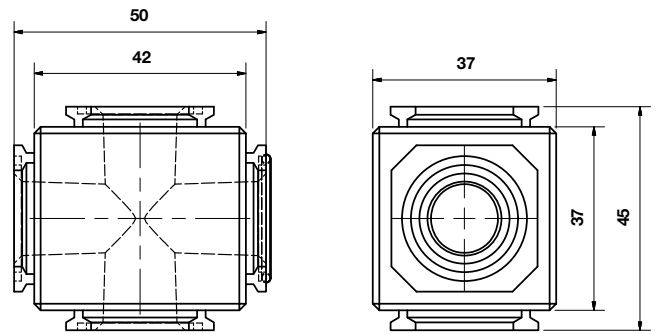
Dimensions in mm  
Projection/First angle



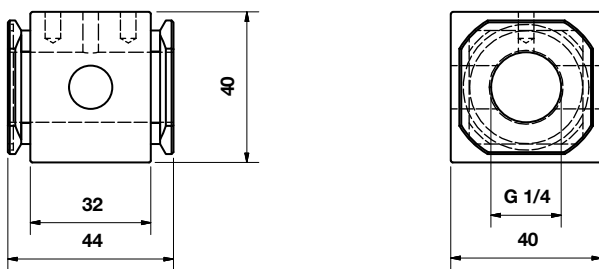
Pressure sensing block



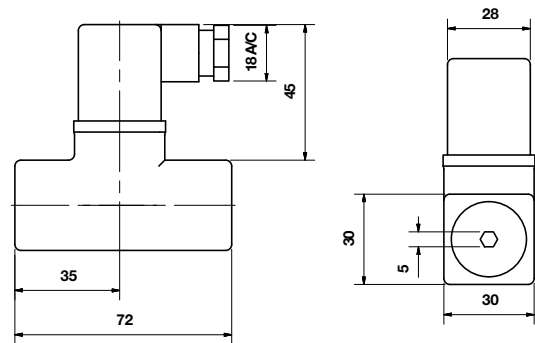
Full flow porting block



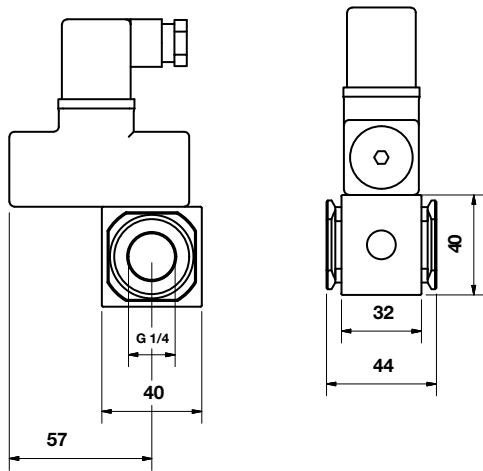
Porting block for 18D pressure switch



18D Pressure switch

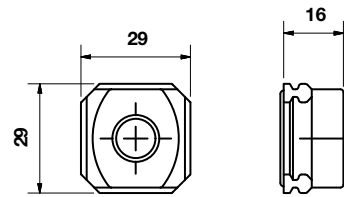


### 18D Porting block and 18D assembled

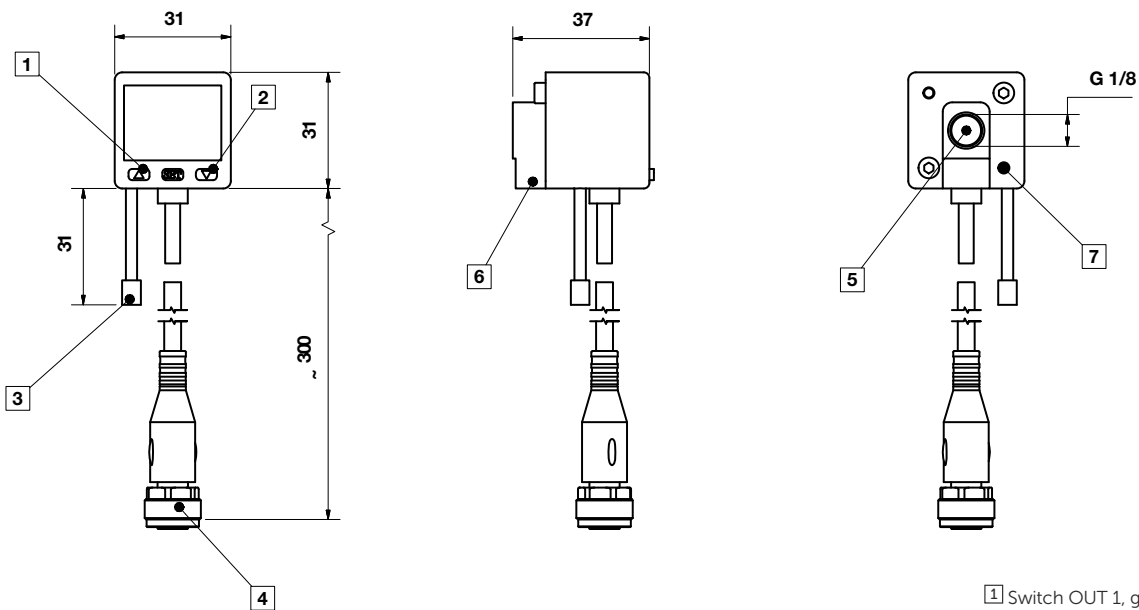


### Pipe adaptor

Dimensions in mm  
Projection/First angle



### 51D Pressure switch - digital



- 1 Switch OUT 1, green LED
- 2 Switch OUT 2, red LED
- 3 Dustproof protector
- 4 Connector M12 x 1
- 5 Inlet port
- 6 Alternative inlet port G1/8 plugged
- 7 Thread for mounting screw

### Warning

These products are intended for use in industrial compressed air systems only. Do not use these products where pressures and temperatures can exceed those listed under »**Technical features/ data**«.

Before using these products with fluids other than those specified, for non-industrial applications, life-support systems or other applications not within published specifications, consult Norgren Ltd.

Through misuse, age, or malfunction, components used in fluid power systems can fail in various modes.

The system designer is warned to consider the failure modes of all component parts used in fluid power systems and to provide adequate safeguards to prevent personal injury or damage to equipment in the event of such failure.

System designers must provide a warning to end users in the system instructional manual if protection against a failure mode cannot be adequately provided.

System designers and end users are cautioned to review specific warnings found in instruction sheets packed and shipped with these products.